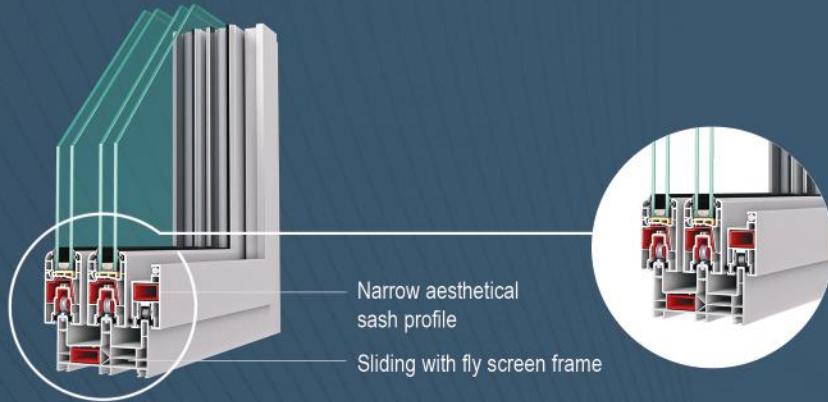


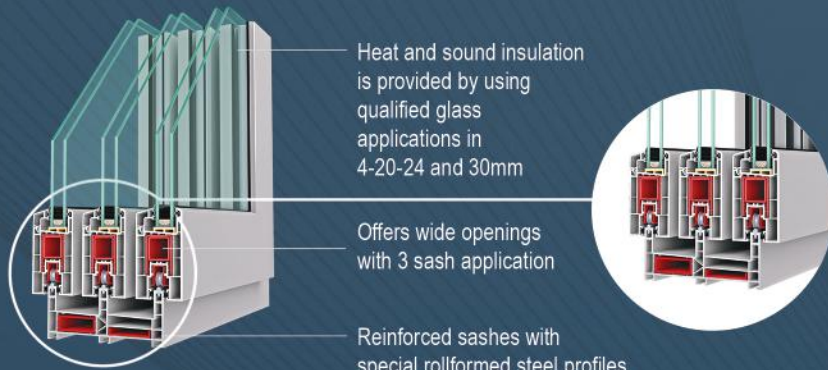


PVC Door & Window Systems



Narrow aesthetical sash profile
Sliding with fly screen frame

FRAME WITH SCREEN



Heat and sound insulation is provided by using qualified glass applications in 4-20-24 and 30mm

Offers wide openings with 3 sash application

Reinforced sashes with special rollformed steel profiles

TRIPLE RAIL SLIDING FRAME



2 rails frame profile

Reinforced sashes with special roll formed steel profiles

DOUBLE RAIL SLIDING FRAME



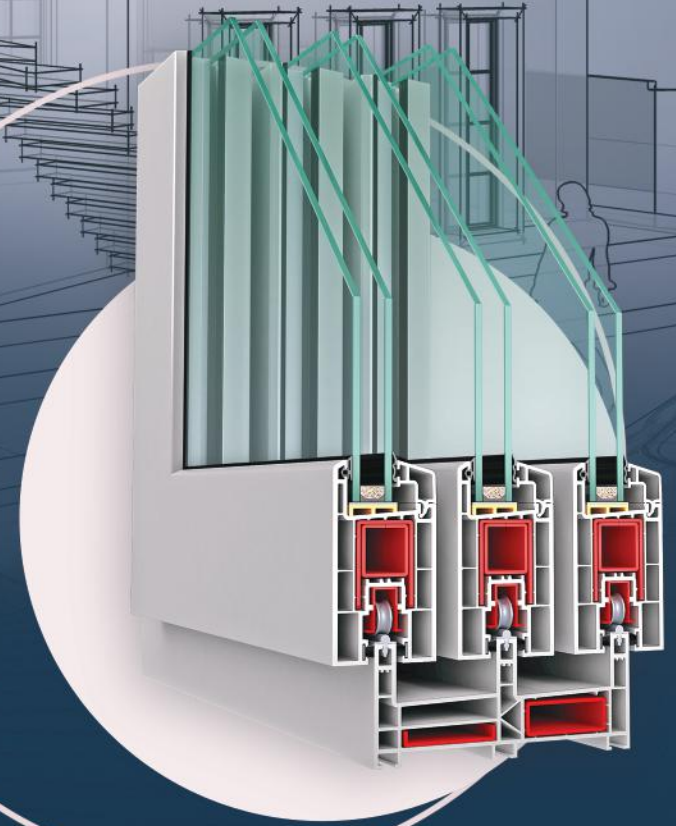
Heat Isolation Characteristic

Thermal

Camera

Unleaded

CLASSICAL SLIDING



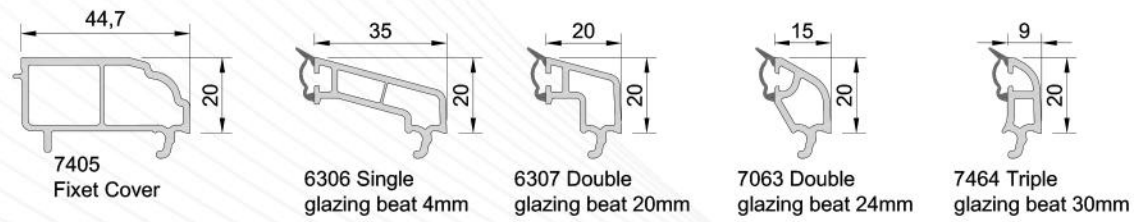
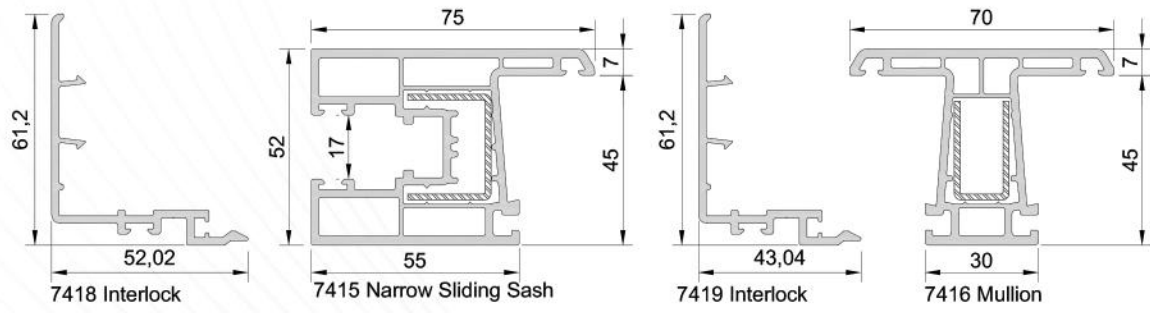
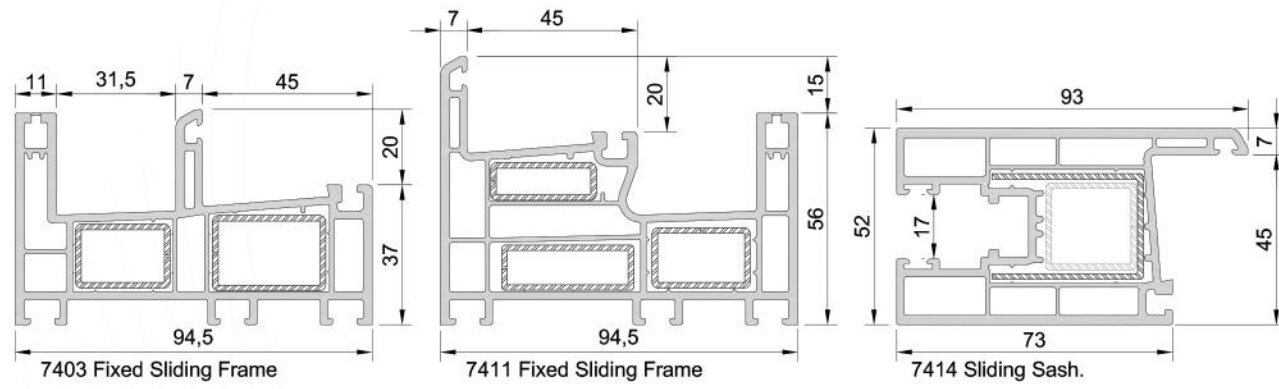
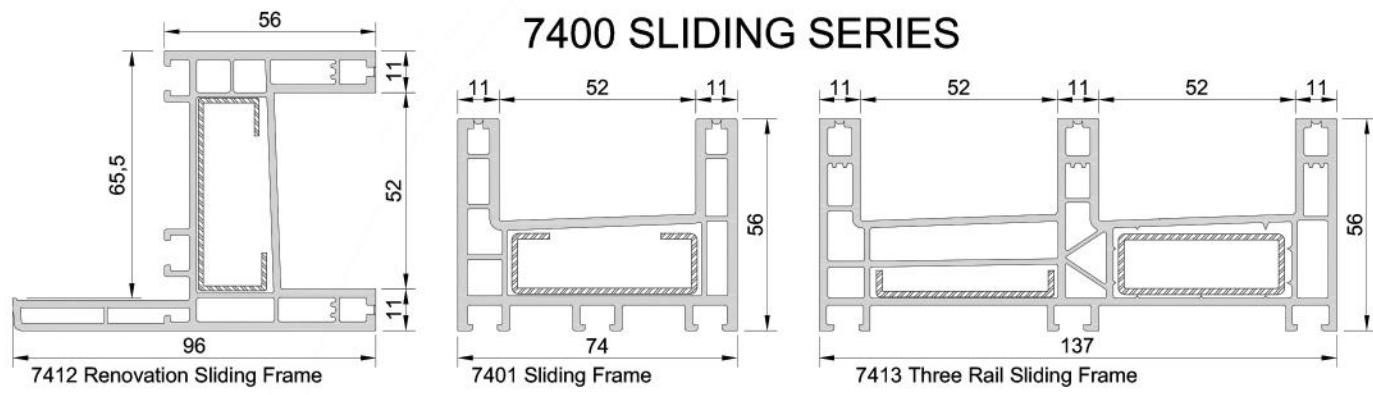
ASAŞ Alüminyum Sanayi ve Ticaret A.Ş.

Headquarters
Rüzgarlı Bahçe Mah., Kumlu Sok., No: 2
Asaş İş Merkezi, 34810 Kavacak
Beykoz - İstanbul, Turkey
T +90 216 680 07 70 F +90 216 680 07 72
asastr.com

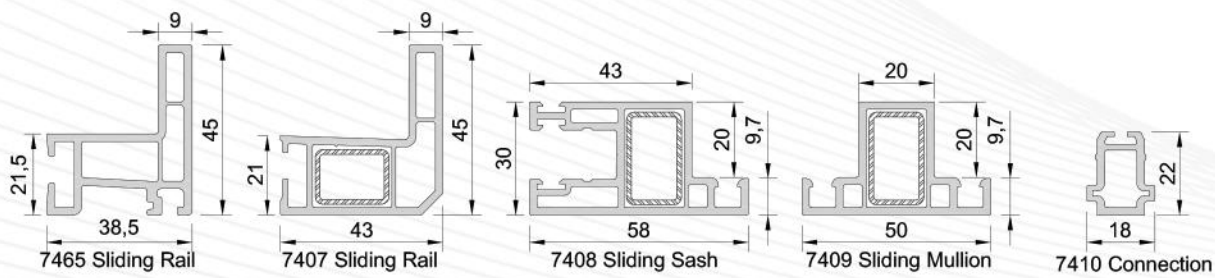
Aluminium PVC Profile & Roller Shutter
Production Facility
Küçücek İstiklal Mah., Kışla Alanı Cad.,
No: 2-2/1, 54400 Akyazı - Sakarya, Turkey
T +90 264 462 47 12 F +90 264 462 47 17



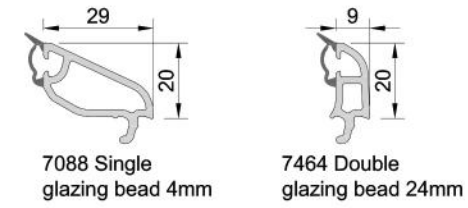
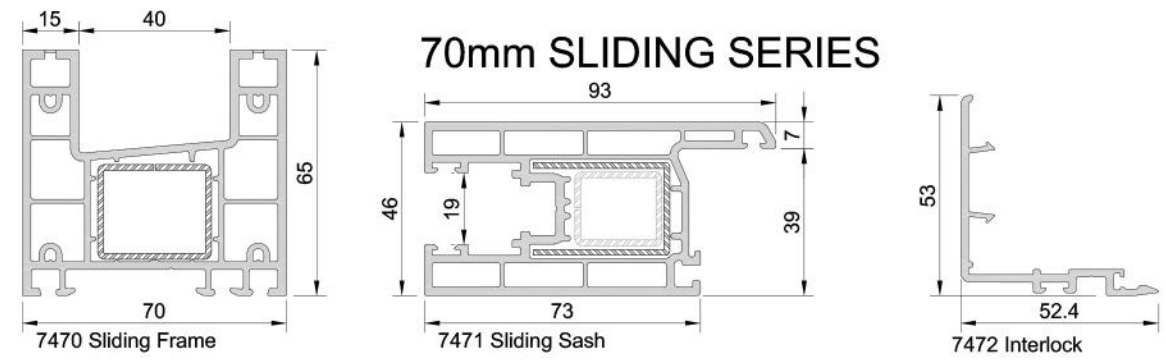
7400 SLIDING SERIES



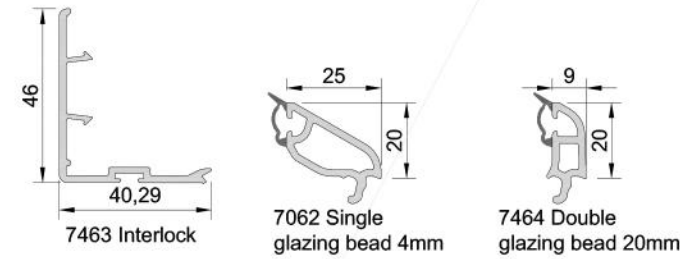
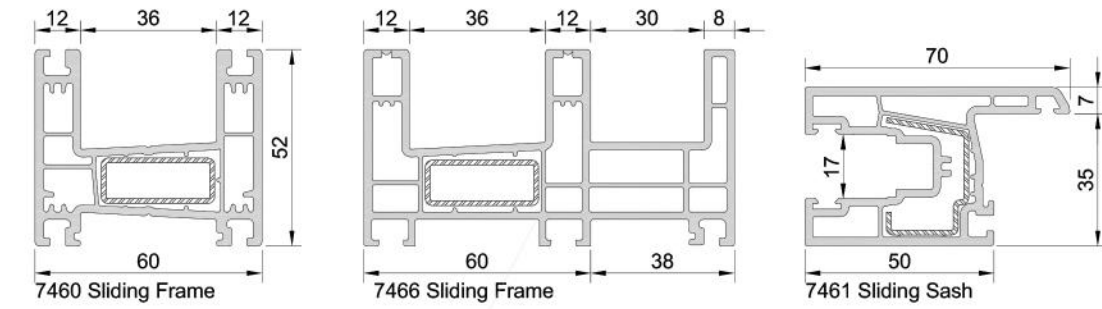
FLY SIGREEN PROFILES



70mm SLIDING SERIES



60mm COMPACT SLIDING SERIES



ALUMINUM PROFILES

